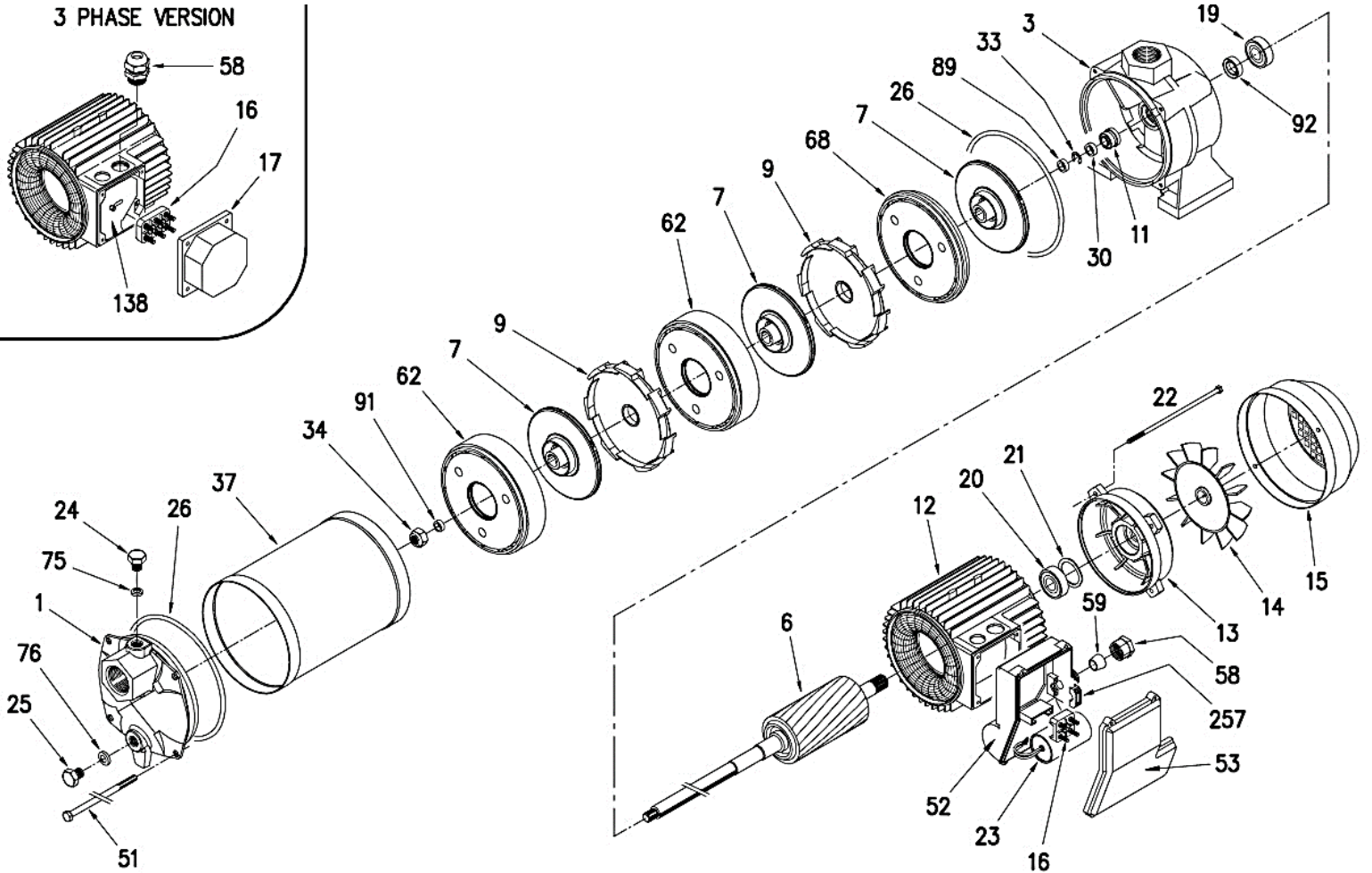


نقشه انفجاری پمپ COMPACT



							DIS. ROSA	DESCRIZIONE	N° DISEGNO
							NORM.	COMPACT A - B	01358
A Anzitutto posizione 92						Mese	DATA 10.04.2002		REV
REV	DESCRIZIONE DELLA MODIFICA	N° MOD.	DIS.	CONTR.	R&O	NORM.	DATA		



Compact AM 1~ 50Hz

POS	PART NAME	AM/4	AM/6	AM/8	AM/10	AM/12	AM/15
		1480010000A	1480020000A	1480030000A	1480040000	1480050000	1480060000
001	casing	240020998				240020998	
003	Delivery casing	240080600			240080585	240080580	
006	Shaft with rotor	275412423	275412424	275412425	275412590	275412591	275412592
007	Impeller	251450737	251450737	251450737	251450731	251450731	251450731
009	Diffuser	342535042	342535042	342535042	342535042	342535042	342535042
011-K	Mechanical seal roll	364500022			364500023	364500023	
011-K	Mechanical seal fix	364500022			364500023	364500023	
012	Motor frame	277930105	277930122	277930226	277930174	277930173	277930021
013	Motor cover	230225074			230225071	230225071	230225088
014	Fan	369950000			369950002	369950002	
015	Fan cover	362250563			362250071	362250071	
016	Terminal board	365940253				365940253	
019	Bearing	360306201			360306203	360306203	
020	Bearing	360306201			360306202	360306202	
021	Adjusting ring	360600032			360600035	360600035	
022	Tie rod motor	369305128			369305135	369305135	369305148
023	Capacitor	361402100	361402125	361400140	361402200	361402315	
024	Priming plug	375192000				375192000	
025	Drain plug	375192000				375192000	
026-K	O – ring	364500022			364500023	364500023	
030-K	Washer	364500022			364500023	364500023	
033-K	Seeger ring	364500022			364500023	364500023	
034-K	Impeller nut	364500022			364500023	364500023	
037	External pump casing	205427100	205427101	205427102	205427103	205427104	205427105
051	Tie rod pump	369393305	369393306	369393307	369393309	369393310	369306215
052	Capacitor box	363200001			363200520	363200520	
053	Capacitor box cover	363232500			363201110	363201110	
058	Cable entry	363201200				363201200	
059	Conic gasket	363201300				363201300	
062	Stage housing	241402181	241402181	241402181	241402181	241402181	241402181
068	Stage	251402226				251402226	
075-K	Washer	364500022			364500023	364500023	
076-K	Washer	364500022			364500023	364500023	
089	Washer	360676024			360676012	360676012	
091	Washer	360610584			360676022	360676022	
092	Lip seal	360991524			360991523	360991523	
257	Wire clamp	366550011			360755010	360755010	



Compact A 3~ 50Hz

POS	PART NAME	AM/4	AM/6	AM/8	AM/10	AM/12	AM/15
		1480010004A	1480020004A	1480030004A	1480040004	1480050000	1480060000
001	casing	240020998				240020998	
003	Delivery casing	240080600			240080585	240080585	
006	Shaft with rotor	275412423	275412424	275412425	275412590	275412591	275412592
007	Impeller	251450737	251450737	251450737	251450731	251450731	251450731
009	Diffuser	342535042	342535042	342535042	342535042	342535042	342535042
011-K	Mechanical seal roll	364500022			364500023	364500023	
011-K	Mechanical seal fix	364500022			364500023	364500023	
012	Motor frame	277930124	277930125	277930127	277930180	277930181	277930024
013	Motor cover	230225074			230225071	230225071	230225088
014	Fan	369950000			369950002	369950002	
015	Fan cover	362250563			362250071	362250071	
016	Terminal board	365940256				365940256	
017	Terminal board cover	363200000			363232010	363232010	
019	Bearing	360306201			360306203	360306203	
020	Bearing	360306201			360306202	360306202	
021	Adjusting ring	360600032			360600035	360600035	
022	Tie rod motor	369305128			369305135	369305135	369305148
024	Priming plug	375192000				375192000	
025	Drain plug	375192000				375192000	
026-K	O – ring	364500022			364500023	364500023	
030-K	Washer	364500022			364500023	364500023	
033-K	Seeger ring	364500022			364500023	364500023	
034-K	Impeller nut	364500022			364500023	364500023	
037	External pump casing	205427100	205427101	205427102	205427103	205427104	205427105
051	Tie rod pump	369393305				369393310	369306215
058	Cable entry	366550010					
062	Stage housing	241402181	241402181	241402181	241402181	241402181	241402181
068	Stage	251402226				251402226	
075-K	Washer	364500022			364500023	364500023	
076-K	Washer	364500022			364500023	364500023	
089	Washer	360676024			360676012	360676012	
091	Washer	360610584			360676022	360676022	
092	Lip seal	360991524			360991523	360991523	
138	Terminal box insulator	361939003					

