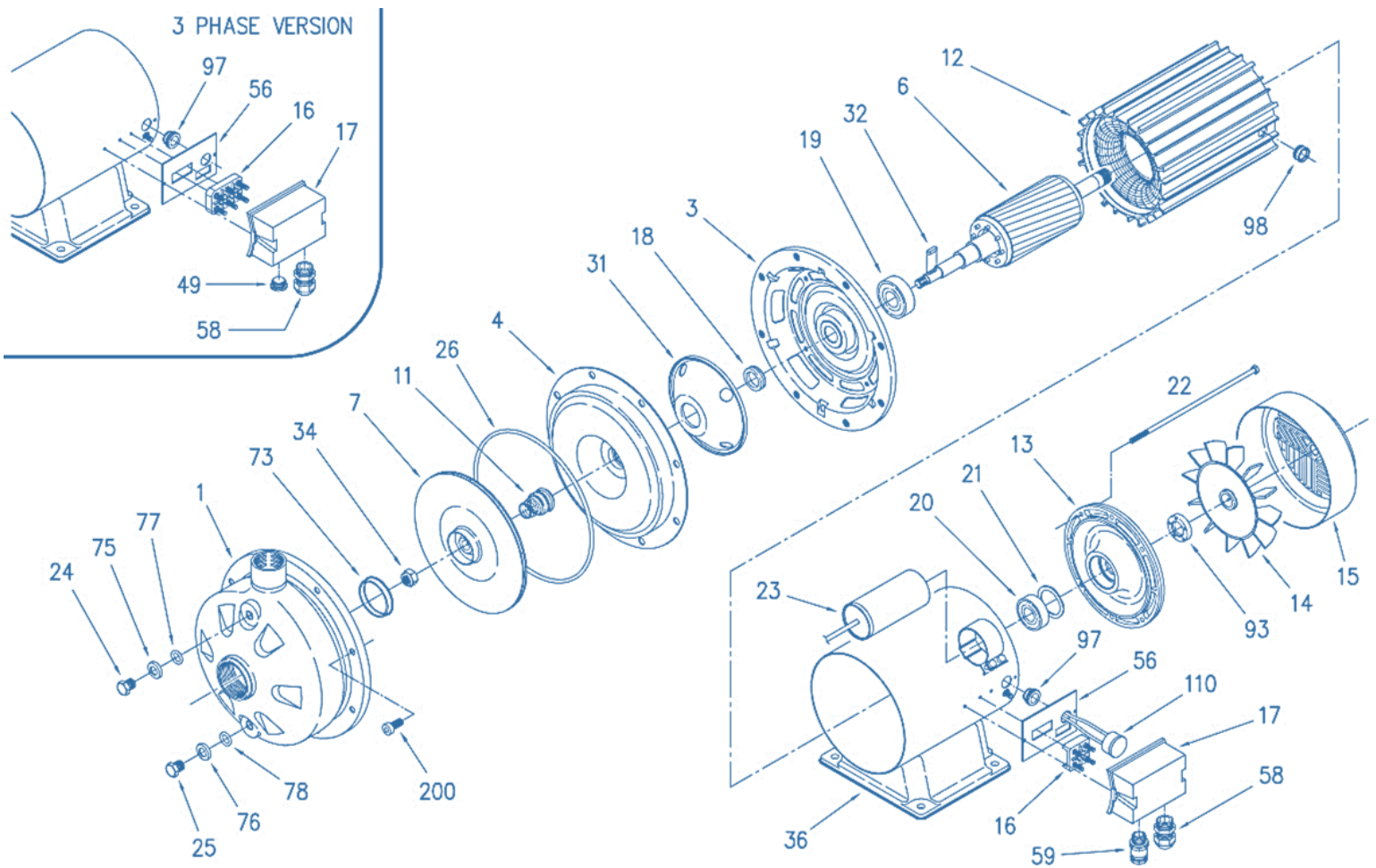


## نقشه انفجاری



						DIS. ROSA	DESCRIZIONE	N° DISEGNO
						NORM.	CD	01302
						DATA 10.10.2001		



pos	Part name	CDM 70/05	CDM 70/07	CDM 70/12	CDM 90/10	CDM 120/07
		1970050000	1970090000	1970100000	1970100500	1980090000
001	Casing	251419025		251419019		251419025
003	Motor bracket	251402095		251402097		251402095
004	Casing cover	251438005		251438006		251438005
006	Shaft with rotor	275412528	275412028	275412029	275412128	275412028
007	Impeller	251450000	251450001	251450002	251450001	251450003
011-k	Mechanical seal fixed	364500003				
011-k	Mechanical seal rolling	364500003				
012	Motor frame	257930220	257930320	257930319		257930320
013	Motor cover	230225006				
014	Fan	369950002				
015	Fan cover	362222001				
016	Terminal box	365940253				
017	Terminal box cover	363232056		363232057	363232056	
018	Splash ring	367650157				
019	Bearing	360326203				
020	Bearing	360306202				
021	Adjusting ring	360600035				
022	Tie rod	369393014		369393018		369393014
023	Capacitor	361402125	361402160	361404315	361402200	361402160
024	Priming plug	375192107				
025	Drain plug	375192107				
026-k	O – ring	364500003				
031	Thrust flange	371434019				
032-k	Key	364500003				
034-k	Impeller nut	364500003				
036	External motor casing	255402058		255402076	255402081	255402058
056	Box gasket	364700700		364700800	364700700	
058	Cable entry	366550010				
059	Conic gasket	--	--	366550009	--	--
073-k	Casing ring	364500003				
075	Washer	367667000				
076	Washer	367667000				
077-k	O – ring	364500003				
078-k	O – ring	364500003				
093	Lip seal	360991527				
097	Cable entry	366650114				
110	Protector	366650112				
200	Screw	-	-	-	-	-
		369644000		369641002	369644000	



تک فاز

pos	Part name	CDM 120/12 1980100000	CDM 120/20 198020000	CDM 200/12 1990100000	CDM 200/20 1990200000
001	Casing	251419022	251419023	251419017	
003	Motor bracket	251402095	251402098	251402095	
004	Casing cover	251438005	251438006	251438005	
006	Shaft with rotor	275412029	275412030	275412029	275412030
007	Impeller	251450004	251450005	251450006	251450007
011-k	Mechanical seal fixed	364500003			
011-k	Mechanical seal rolling	364500003			
012	Motor frame	257930319	257930214	257930319	257930214
013	Motor cover	230225006	230225008	230225006	230225008
014	Fan	369950002	369950008	369950002	369950008
015	Fan cover	362222001	362222006	362222001	362222006
016	Terminal box	365940253	364940254	365940253	365940254
017	Terminal box cover	363232057			
018	Splash ring	367650157	367650156	367650157	367650156
019	Bearing	360326203	360326204	360326203	360326204
020	Bearing	360306202	360326203	360306202	360326203
021	Adjusting ring	360600035	360600040	360600035	360600040
022	Tie rod	369393018	369393019	369393018	369393019
023	Capacitor	361404315	36140240	361404315	361402400
024	Priming plug	375192107			
025	Drain plug	375192107			
026-k	O – ring	364500003			
031	Thrust flange	371434019	371434020	371434019	371434020
032-k	Key	364500003			
034-k	Impeller nut	364500003			
036	External motor casing	255402077	255402063	255402077	255402031
056	Box gasket	364700800			
058	Cable entry	366550010			
059	Conic gasket	366550009			
073-k	Casing ring	364500003			
075	Washer	367667000			
076	Washer	367667000			
077-k	O – ring	364500003			
078-k	O – ring	364500003			
093	Lip seal	360991527	360991529	360991527	360991529
097	Cable entry	366650114			
098	Cable entry	366650112	366650113	366650112	366650113
110	Protector	--	369450502	--	369450502
200	Screw	369644000	369641002	369644000	369641002



سه فاز

pos	Part name	CD 70/05		CD 70/07		CD 70/12		CD 90/10		CD 120/07	
		1970050004		1970090004		1970100004		1970100504		1980090004	
001	Casing	251419025		251419019		251419019		251419025		251419025	
003	Motor bracket	251402095		251402097		251402097		251402095		251402095	
004	Casing cover	251438005		251438006		251438006		251438005		251438005	
006	Shaft with rotor	275412528	275412028	275412029	275412128	275412128	275412128	275412128	275412128	275412128	275412128
007	Impeller	251450000		251450001		251450002		251450001		251450003	
011-k	Mechanical seal fixed					364500003					
011-k	Mechanical seal rolling					364500003					
012	Motor frame	257930420	257930820	257930519	257930219	257930219	257930219	257930219	257930219	257930820	257930820
013	Motor cover					230225006					
014	Fan					369950002					
015	Fan cover					362222001					
016	Terminal box					365940256					
017	Terminal box cover					363232057					
018	Splash ring					367650157					
019	Bearing					360326203					
020	Bearing					360306202					
021	Adjusting ring					360600035					
022	Tie rod					369393014					
024	Priming plug					375192107					
025	Drain plug					375192107					
026-k	O – ring					364500003					
031	Thrust flange					371434019					
032-k	Key					364500003					
034-k	Impeller nut					364500003					
036	External motor casing	255402079		255402061		255402059		255402059		255402079	
049	Plug					369200550					
056	Box gasket					364700800					
058	Cable entry					366550010					
073-k	Casing ring					364500003					
075	Washer					367667000					
076	Washer					367667000					
077-k	O – ring					364500003					
078-k	O – ring					364500003					
093	Lip seal					360991527					
097	Cable entry					366650114					
200	Screw	369644000		369641002		369641002		369644000		369644000	



سه فاز

pos	Part name	CD 120/12 1970050004	CD 120/20 1970090004	CD 200/12 1970100004	CD 200/20 1970100504	CD 200/25 1980090004A
001	Casing	251419022	251419023	251419017		251419021
003	Motor bracket	251402095	251402098	251402095	251402096	251402098
004	Casing cover	251438005	251438006	251438005		251438006
006	Shaft with rotor	275412029	275412530	275412029	275412530	275412759
007	Impeller	251450004	251450005	251450006	251450007	251450008
011-k	Mechanical seal fixed	364500003				
011-k	Mechanical seal rolling	364500003				
012	Motor frame	257930519	257931014	257930519	257931014	257930851
013	Motor cover	230225006	230225008	230225006	230225008	
014	Fan	369950002	369950008	369950002	369950008	
015	Fan cover	362222001	362222006	362222001	362222006	
016	Terminal box	365940256	365950326	365940256	365950326	
017	Terminal box cover	363232057				
018	Splash ring	367650157	367650156	367650157	367650156	
019	Bearing	360326203	360326204	360326203	360326204	
020	Bearing	360306202	360326203	360306202	360326203	
021	Adjusting ring	360600035	360600040	360600035	360600040	
022	Tie rod	369393018	369393019	369393018	369393019	369305213
024	Priming plug	375192107				
025	Drain plug	375192107				
026-k	O – ring	364500003				
031	Thrust flange	371434019	371434020	371434019	371434020	
032-k	Key	364500003				
034-k	Impeller nut	364500003				
036	External motor casing	255402059	255402062	255402059	255402034	255402430
049	Plug	369200550				
056	Box gasket	364700800				
058	Cable entry	366550010				
073-k	Casing ring	364500003				
075	Washer	367667000				
076	Washer	367667000				
077-k	O – ring	364500003				
078-k	O – ring	364500003				
093	Lip seal	360991527	360991529	360991527	360991529	
097	Cable entry	366650114				
098	Cable entry	366650112	366650113	366650112	366650113	
200	Screw	369644000	369641002	369644000	369641002	

