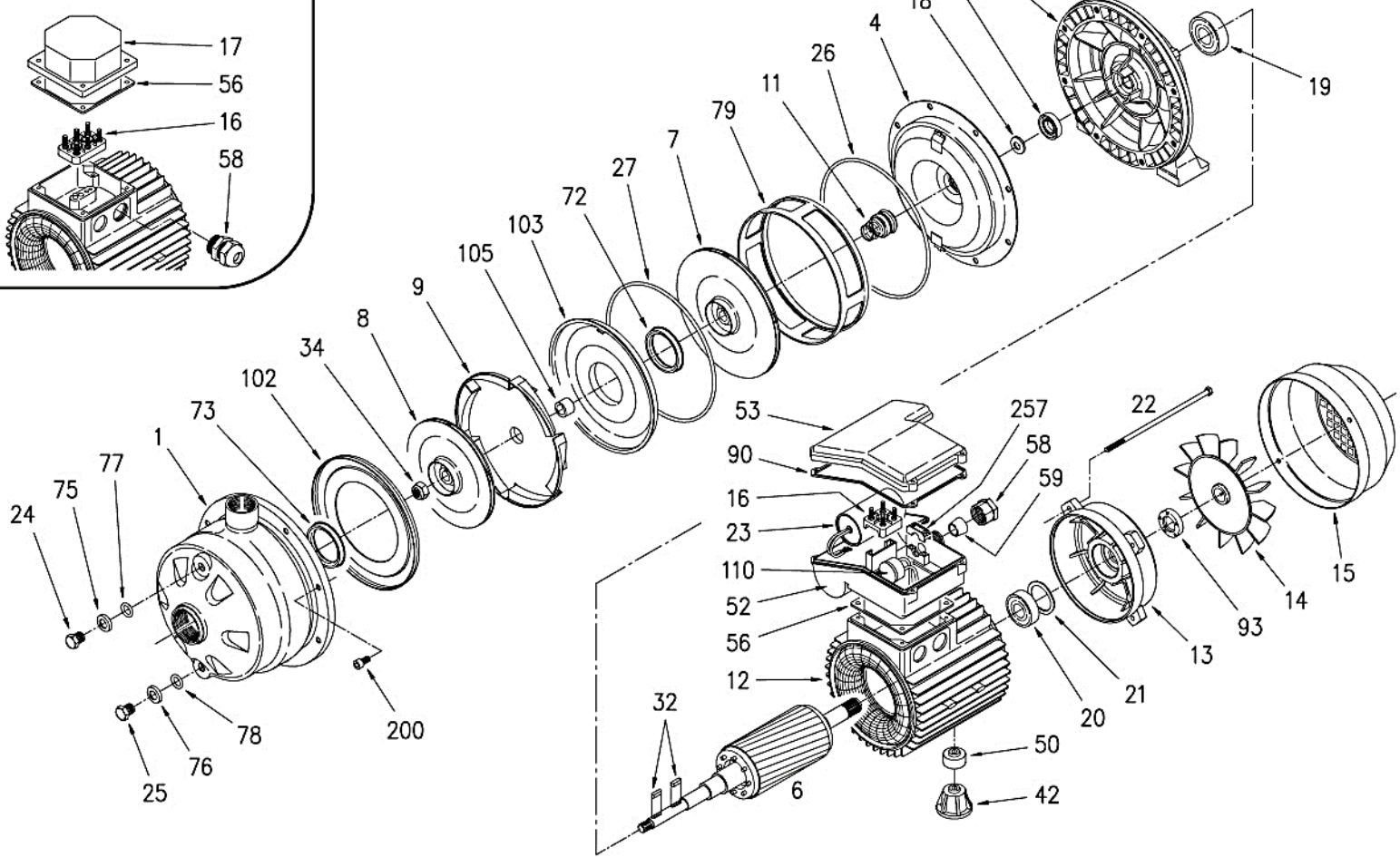


نقشه انفجاری

3 PHASE VERSION



					DIS. ROSA	DESCRIZIONE	N° DISEGNO 01320
					NORM.	2CDX	
A AGGIUNTO POSIZIONE 18					DATA 10.10.2001		



pos	Part name	2CDXM/A 70/10	2CDXM/A 70/12	2CDXM/B 70/15	2CDXM/B 70/20	2CDXM/B 120/15
		1611100000	1611120000	1611150000B	1611200000B	1621150000B
001	Casing	251420688		251420692		251420694
003	Motor bracket	240280545		240280563		240280546
004	Casing cover	251402069		251402065		251402069
006	Shaft with rotor	275412189	275412190	275412232	276412700	275412232
007	Impeller	251450000		251450721		251450003
008	Impeller	251450720		251450721	251450002	251450003
009	Diffuser	251435024		251435026		251435024
011-k	Mechanical seal fixed	364500006				
011-k	Mechanical seal rolling	364500006				
012	Motor frame	277930174	277930173	277930015	277930234	277930015
013	Motor cover	230225071		230225072	230225089	230225072
014	Fan	369950002		369950008		
015	Fan cover	362250071		362250080		
016	Terminal box	365940253		365940254		
018	Splash ring	367650150		367650150		
019	Bearing	360306203		360306204		
020	Bearing	360306202		360306203		
021	Adjusting ring	360600035		360600040		
022	Tie rod	369305135		369305148	369305161	369305148
023	Capacitor	361402200	361402315	361401350	361401400	361401350
024	Priming plug	375192107				
025	Drain plug	375192107				
026-k	O – ring	364500006				
027-K	O - ring	364500006				
032-k	Key	364500006				
034-k	Impeller nut	364500006				
042	Foot	371415013		371415015		
050	Spacer	--	--	371415018		
052	Terminal box	363200550	363200202	363200201		
053	Terminal cover	363201104		36320101		
056	Box gasket	364700810			364700811	
058	Cable entry	36320200		36320201		
059	Conic gasket	363201300		363201301		
072-K	Casing ring	364500006				
073-k	Casing ring	364500006				
075	Washer	367667000				
076	Washer	367667000				
077-k	O - ring	364500006				
078-k	O – ring	364500006				
079	Spacer diffuser	251434026		251434028		251434026
090	Box gasket	364701515		364701520		
092	Lip seal	360991522				
093	Lip seal	360991522		360991529		
102	Suction cover	251424008		251424012		251424008
103	Conveyor cover	251402068		251402089		251402066
105	Sleeve	374434027				
110	Protector	--	--	369450503	369450506	369450503
200	Screw	369600023		369641003		369600023
257	Wire clamp	366550011		366550012		



pos	Part name	2CDXM/B 120/20 1621200000B			
001	Casing	251420694			
003	Motor bracket	240280546			
004	Casing cover	251402069			
006	Shaft with rotor	276412700			
007	Impeller	251450004			
008	Impeller	251450003			
009	Diffuser	251435024			
011-k	Mechanical seal fixed	364500006			
011-k	Mechanical seal rolling	364500006			
012	Motor frame	277930234			
013	Motor cover	230225089			
014	Fan	369950008			
015	Fan cover	362250008			
016	Terminal box	364940254			
018	Splash ring	367650150			
019	Bearing	360306204			
020	Bearing	360306203			
021	Adjusting ring	360600040			
022	Tie rod	369305161			
023	Capacitor	361401400			
024	Priming plug	375192107			
025	Drain plug	375192107			
026-k	O – ring	364500006			
027-K	O - ring	364500006			
032-k	Key	364500006			
034-k	Impeller nut	364500006			
042	Foot	371415015			
050	Spacer	---			
052	Terminal box	363200201			
053	Terminal cover	363201101			
056	Box gasket	364700811			
058	Cable entry	363201201			
059	Conic gasket	363201301			
072-K	Casing ring	364500006			
073-k	Casing ring	364500006			
075	Washer	367667000			
076	Washer	367667000			
077-k	O - ring	364500006			
078-k	O – ring	364500006			
079	Spacer diffuser	251434026			
090	Box gasket	364701520			
092	Lip seal	360991522			
093	Lip seal	360991529			
102	Suction cover	251424008			
103	Conveyor cover	251402066			
105	Sleeve	374434027			
110	Protector	369450506			
200	Screw	369600023			
257	Wire clamp	366550012			



سه فاز

pos	Part name	2CDX/A 70/10	2CDX/A 70/12	2CDX/A 70/15	2CDX/A 70/20	2CDX/A 120/15
		1611100004	1611120004	1611150004	1611200004	1621150004
001	Casing	251420688		251420692		251420694
003	Motor bracket	240280545		240280563		240280546
004	Casing cover	251402069		251402065		251402069
006	Shaft with rotor	275412189	275412190	275412246	276412232	275412246
007	Impeller	251450000		251450721		251450003
008	Impeller	251450720		251450721	251450002	251450003
009	Diffuser	251435024		251435026		251435024
011-k	Mechanical seal fixed	364500006				
011-k	Mechanical seal rolling	364500006				
012	Motor frame	277930180	277930181	277930801	277930220	277930801
013	Motor cover	230225071		230225072		
014	Fan	369950002		369950008		
015	Fan cover	362250071		362250080		
016	Terminal box	365940256		365940326		
017	Terminal box cover	363232010		363232008		
018	Splash ring	367650150				
019	Bearing	360306203		360306204		
020	Bearing	360306202		360306203		
021	Adjusting ring	360600035		360600040		
022	Tie rod	369305135		369305148		
024	Priming plug	375192107				
025	Drain plug	375192107				
026-k	O – ring	364500006				
027-k	O - ring	364500006				
032-k	Key	364500006				
034-k	Impeller nut	364500006				
042	Foot	371415013		371415015		
050	Spacer	--	--	371415018		
056	Box gasket	364700810			364700811	
058	Cable entry	366550010				
072-K	Casing ring	364500006				
073-k	Casing ring	364500006				
075	Washer	367667000				
076	Washer	367667000				
077-k	O - ring	364500006				
078-k	O – ring	364500006				
079	Spacer diffuser	251434026		251434028		251434026
092	Lip seal	360991522				
093	Lip seal	360991522		360991529		
102	Suction cover	251424008		251424012		251424008
103	Conveyor cover	251402068		251402089		251402066
105	Sleeve	374434027				
200	Screw	369600023		369641003		369600023



pos	Part name	2CDX/A 120/20 1621200004	2CDX 120/30 1989300004	2CDX 120/40 1989400004	2CDX 200/30 1999300004	2CDX 200/40 1999400004	2CDX 200/50 1999500004
001	Casing	251420694	251420696		251420689	251420693	
003	Motor bracket	240280546	240280565		251420689	240080565	240080566
004	Casing cover	251402069	251402065		251402069	251402065	
006	Shaft with rotor	275412232	275412255	275412256	275412257	275412256	275412306
007	Impeller	251450004			251450007	251450007	251450008
008	Impeller	251450003	251450004	251450005	251450006	251450007	
009	Diffuser	251435024	251435026		251435024	251435026	
011-k	Mechanical seal fixed	364500006				364500006	
011-k	Mechanical seal rolling	364500006				364500006	
012	Motor frame	277930220	277930430	27930425		364500006	
013	Motor cover	230225072	230225504			277930425	277930421
014	Fan	369950008	369950009			230225504	230225507
015	Fan cover	362250080	362250009			369950009	369950004
016	Terminal box	365950326			362250009		
017	Terminal box cover	363232008			365950326		
018	Splash ring	367650150			363232008		
019	Bearing	360306204	360306305		360306205	367650150	
020	Bearing	360306203	360306205			360306305	360306206
021	Adjusting ring	360600040	360600052			360306205	
022	Tie rod	369305148	369305165	369305190		360600052	
024	Priming plug	375192107			369305190		
025	Drain plug	375192107			369306200		
026-k	O – ring	364500006			375192107		
027-K	O - ring	364500006			364500006		
032-k	Key	364500006			364500006		
034-k	Impeller nut	364500006			364500006		
042	Foot	371415015	371415013		371415014	371415013	371415014
050	Spacer	-	-	-	-	---	---
056	Box gasket	364700811			364700811		
058	Cable entry	366550010	366550013			366550013	366550014
072-K	Casing ring	364500006			364500006		
073-k	Casing ring	364500006			364500006		
075	Washer	367667000			367667000		
076	Washer	367667000			367667000		
077-k	O - ring	364500006			364500006		
078-k	O – ring	364500006			364500006		
079	Spacer diffuser	251434026	251434028		251434026	251434028	
092	Lip seal	360991522			360991522		
093	Lip seal	360991529	360991531			360991531	
102	Suction cover	251424008	251424012		251424008	251424012	
103	Conveyor cover	251402066	251402071		251402066	251402071	
105	Sleeve	374434027			374434027		
200	Screw	369600023	369641003		369600023	369641003	

