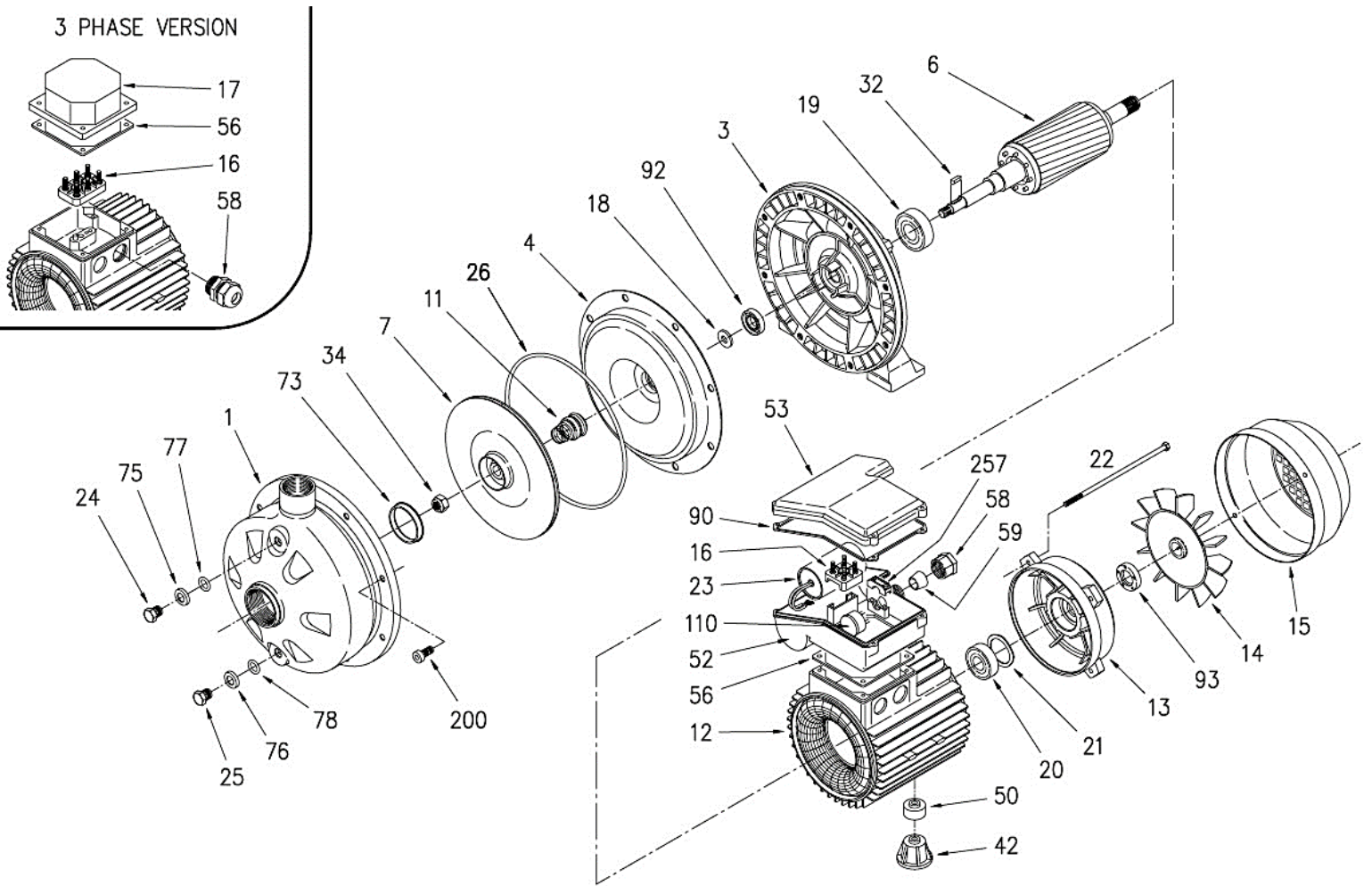


نقشه انفجاری CDX



تک فاز

pos	Part name	CDXM/A 70/05 1615050000	CDXM/A 70/07 1615090000	CDXM/A 90/10 1615100500	CDXM/A 120/07 1625090000	CDXM/A 120/12 1625100000
001	Casing	251419025				251419022
003	Motor bracket	240280545				
004	Casing cover	251438005				
006	Shaft with rotor	275412550	275412551	275412084	275412551	275412085
007	Impeller	251450000	251450001		251450003	251450004
011-k	Mechanical seal fixed	364500003				
011-k	Mechanical seal rolling	364500003				
012	Motor frame	277930751	277930753	277930174	277930753	277930173
013	Motor cover	230225071				
014	Fan	369950002				
015	Fan cover	362250071				
016	Terminal box	365940253				
018	Splash ring	367650150				
019	Bearing	360306203				
020	Bearing	360306202				
021	Adjusting ring	360600035				
022	Tie rod	369305135				
023	Capacitor	361402125	361402160	361402200	361402160	361402315
024	Priming plug	375192107				
025	Drain plug	375192107				
026-k	O – ring	364500003				
032-k	Key	364500003				
034-k	Impeller nut	364500003				
042	Foot	371415013				
050	Spacer					
052	Terminal box	363200550				363200202
053	Terminal cover	363201104				363201101
056	Box gasket	364700810				
058	Cable entry	363201200				363201201
059	Conic gasket	363201300				363201301
073-k	Casing ring	364500003				
075	Washer	367667000				
076	Washer	360991522				
077-k	O - ring	364500003				
078-k	O – ring	364500003				
090	Box gasket	364701515				364701520
092	Lip seal	360991522				
093	Lip seal	360991522				
110	Protector					
200	Screw	36900023				
257	Wire clamp	366550011				366550012



تک فاز

pos	Part name	CDXM/B 120/20	CDXM/B 200/12	CDXM/B 200/20
		162520000B	1635100000	1635200000B
001	Casing	251419023	251419017	
003	Motor bracket	240280563	240280545	240280546
004	Casing cover	251438006	251438005	
006	Shaft with rotor	276412758	275412085	276412758
007	Impeller	251450005	251450006	251450007
011-k	Mechanical seal fixed		364500003	
011-k	Mechanical seal rolling		364500003	
012	Motor frame	377930234	277930173	277930234
013	Motor cover	230225089	230225071	230225089
014	Fan	369950008	369950002	369950008
015	Fan cover	362250080	362250071	362250080
016	Terminal box	365940254	365940253	365940254
018	Splash ring		367650150	
019	Bearing	360306204	360306203	360306204
020	Bearing	360306203	360306202	360306203
021	Adjusting ring	360600040	360600035	360600040
022	Tie rod	369305161	369305135	369305161
023	Capacitor	361401400	361402315	361401400
024	Priming plug		375192107	
025	Drain plug		375192107	
026-k	O – ring		364500003	
032-k	Key		364500003	
034-k	Impeller nut		364500003	
042	Foot	371415015	371415013	371415015
050	Spacer		371415018	
052	Terminal box	363200201	363200202	363200201
053	Terminal cover	363201101		
056	Box gasket	364700811	364700810	364700811
058	Cable entry		363201201	
059	Conic gasket		363201301	
073-k	Casing ring		364500003	
075	Washer		367667000	
076	Washer		360991522	
077-k	O - ring		364500003	
078-k	O – ring		364500003	
090	Box gasket		364701520	
092	Lip seal		3609991522	
093	Lip seal	360991529	360991522	360991529
110	Protector	369450506		369450506
200	Screw	369641003	369600023	369600023
257	Wire clamp		366550012	



سه فاز

pos	Part name	CDX/A 70/05 1615050004	CDX/A 70/07 1615090004	CDX/A 90/10 1615100504	CDX/A 120/07 1625090004	CDX/A 120/12 1625100004
001	Casing			251419025		
003	Motor bracket			240280545		
004	Casing cover			251438005		
006	Shaft with rotor	275412550	275412551	275412084	275412551	275412085
007	Impeller	251450000	251450001		251450003	251450004
011-k	Mechanical seal fixed			364500003		
011-k	Mechanical seal rolling			364500003		
012	Motor frame	277930750	277930752	277930180	277930752	277930181
013	Motor cover			230225071		
014	Fan			369950002		
015	Fan cover			362250071		
016	Terminal box			365940256		
018	Splash ring			363232010		
019	Bearing			367650150		
020	Bearing			360306203		
021	Adjusting ring			360306202		
022	Tie rod			360600035		
023	Capacitor			369305135		
024	Priming plug			375192107		
025	Drain plug			375192107		
026-k	O – ring			364500003		
032-k	Key			364500003		
034-k	Impeller nut			364500003		
042	Foot			371415013		
050	Spacer					
056	Box gasket			364700810		
058	Cable entry			366550010		
073-k	Casing ring			364500003		
075	Washer			367667000		
076	Washer			367667000		
077-k	O - ring			364500003		
078-k	O – ring			364500003		
092	Lip seal			360991522		
093	Lip seal			360991522		
200	Screw			369600023		



سه فاز

pos	Part name	CDX/A 120/20 1625200004	CDX/A 200/12 1635100004	CDX/A 200/20 1635200004	CDX/A 200/25 1635250004B
001	Casing	251419023	251419017	251419017	251419021
003	Motor bracket	240280563	240280545	240280546	240280563
004	Casing cover	251438006	251438005	251438005	251438006
006	Shaft with rotor	275412227	275412085	275412227	275412702
007	Impeller	251450005	251450006	251450007	251450008
011-k	Mechanical seal fixed	364500003			
011-k	Mechanical seal rolling	364500003			
012	Motor frame	277930220	277930181	277930220	277930236
013	Motor cover	230225072	230225071	230225072	230225089
014	Fan	369950008	369950002	369950008	
015	Fan cover	362250080	362250071	362250080	
016	Terminal box	365950326	365940256	365950326	
018	Splash ring	363232008	363232010	363232008	
019	Bearing	367650150			
020	Bearing	360306204	360306203	360306204	
021	Adjusting ring	360306203	360306202	360306203	
022	Tie rod	360600040	360600035	360600040	
023	Capacitor	369305148	369305135	369305148	369305161
024	Priming plug	375192107			
025	Drain plug	375192107			
026-k	O – ring	364500003			
032-k	Key	364500003			
034-k	Impeller nut	364500003			
042	Foot	371415015	371415013	371415015	
050	Spacer	371415018			371415018
056	Box gasket	364700811	364700810	364700811	
058	Cable entry	366550010			
073-k	Casing ring	364500003			
075	Washer	367667000			
076	Washer	367667000			
077-k	O - ring	364500003			
078-k	O – ring	364500003			
092	Lip seal	360991522			
093	Lip seal	360991529	360991522	360991529	360991529
200	Screw	369641003	369600023		369641003

