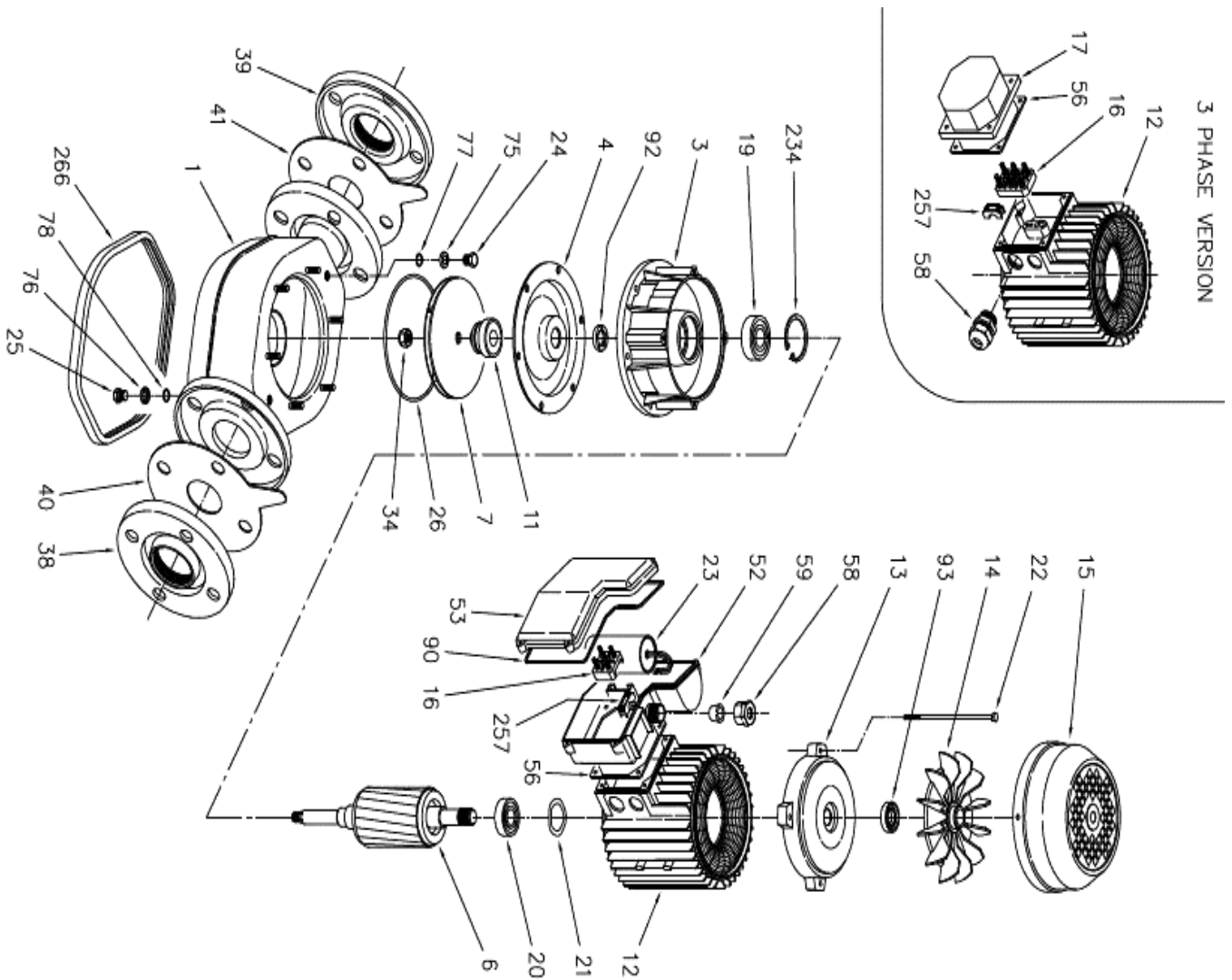


### نقشه انفجاری LPS



LPS 1~ 50Hz

pos	PART NAME	25/08M	25/15M	25/25M	32/25M	32/40M
		1962010000	1962020000	1962030000	1963030000	1963040000
001	CASEING			251420100		
003	MOTOR BRACKET			240280630		
004	CASING COVER			251497020		
006	SHAFT WITH ROTOR			275412582		
007	IMPELLER	251497274	251497266	251497255	251497278	251497271
011	MECHANICAL SEAL			360408003		
012	MOTOR FRAME			277930757		
013	MOTOR COVER			230225071		
014	FAN			369950002		
015	FAN COVER			362250071		
016	TERMINAL BOX			365940253		
019	BEARING			360306203		
020	BEARING			360306202		
021	ADIISTING RING			360600035		
022	Tie rod			369305135		
023	CAPACITOR			361402125		
024	PRIMING PLUG			375192107		
025	Drain plug			375192107		
026	O RING			360931266		
034	IMPELLER NUT			363300013		
038	CIUNTER FLANGE		364401000		364401002	
039	COUNTER FLANGE		364401002		364401002	
040	SUCTION GASKET		364701025		364701132	
041	DRAIN GASKET		364701025		364701132	
052	TERMINAL BODY			363200500		
053	TERMINAL COVER			363201104		
056	BOX GASKET			364700810		
058	CABLE ENTRY			363201200		
059	Conic gasket			363201300		
075	WASHER			367667000		
076	WASHER			367667000		
077	O RING			360920919		
078	O RING			360920919		
090	BOX GASKET			364701515		
092	LIP SEAL PUMP SIDE			360991521		
093	LIP SEAL FAN SIDE			360991528		
234	SEEGER RING			360600142		
257	WIRE CLAMP			366550011		
266	GASKET FOR WELDING			364747033		



LPS 1~50 Hz

pos	PART NAME	40/25 M	40/40 M	40/75 M	50/40 M	50/75 M	50/150 M
		1964030000	1964050000	1964070000	1965050000	1965070000	1965150000
001	CASEING		251420102		251420103		
003	MOTOR BRACKET		240280630		240280630		240280631
004	CASING COVER		251497020			251497020	
006	SHAFT WITH ROTOR		275412582		275412582		275412733
007	IMPELLER	251497282	251497283	251497270	251497256	251497258	251497261
011	MECHANICAL SEAL		360408003			360408003	
012	MOTOR FRAME		277930757		277930757		277930015
013	MOTOR COVER		230225071		230225071		230225072
014	FAN		369950002		369950002		369950003
015	FAN COVER		362250071		362250071		362250080
016	TERMINAL BOX		365940253		365940253		365940254
019	BEARING		360306203		360306203		360306204
020	BEARING		360306202		360306202		360306203
021	ADIISTING RING		360600035		360600035		360600040
022	Tie rod		369305135		369305135		369305148
023	CAPACITOR	361402125		361402250	361402125		361402250
024	PRIMING PLUG		375192107			375192107	
025	Drain plug		375192107			375192107	
026	O RING		360931266			360931266	
034	IMPELLER NUT		363300013			363300013	
038	CIUNTER FLANGE		364401001			364401003	
039	COUNTER FLANGE		364401001			364401003	
040	SUCTION GASKET		364701140			364701150	
041	DRAIN GASKET		364701140			364701150	
052	TERMINAL BODY		363200550		363200550		363200201
053	TERMINAL COVER		363201104		363201104		363201101
056	BOX GASKET		364700810		364700810		364700811
058	CABLE ENTRY		363201200		363201200		363201201
059	Conic gasket		363201300		363201300		363201301
075	WASHER		367667000			367667000	
076	WASHER		367667000			367667000	
077	O RING		360920919			360920919	
078	O RING		360920919			360920919	
090	BOX GASKET		364701515			364701515	
092	LIP SEAL PUMP SIDE		360991521			360991521	
093	LIP SEAL FAN SIDE		360991528			360991528	
234	SEEGER RING		360600142			360600142	
257	WIRE CLAMP		366550011			366550011	
266	GASKET FOR WELDING		364747033			364747033	



### LPS 3~ 50 Hz

pos	PART NAME	25/08	25/15	25/25	32/25	32/40
		1962010004	1962020004	1962030004	1963030004	1963040004
001	CASEING		251420100		251420101	
003	MOTOR BRACKET			240280630		
004	CASING COVER			251497020		
006	SHAFT WITH ROTOR			275412582		
007	IMPELLER	251497274	251497266	251497255	251497278	251497271
011	MECHANICAL SEAL			360408003		
012	MOTOR FRAME			277930750		
013	MOTOR COVER			230225071		
014	FAN			369950002		
015	FAN COVER			362250071		
016	TERMINAL BOX			365940256		
019	BEARING			363232010		
020	BEARING			360306203		
021	ADIISTING RING			360306202		
022	Tie rod			360600035		
023	CAPACITOR			369305135		
024	PRIMING PLUG			375192107		
025	Drain plug			375192107		
026	O RING			360931266		
034	IMPELLER NUT			363300013		
038	CIUNTER FLANGE		364401000		364401002	
039	COUNTER FLANGE		364401000		364401002	
040	SUCTION GASKET		364701025		364701132	
041	DRAIN GASKET		364701025		364701132	
056	BOX GASKET			364700810		
058	CABLE ENTRY			366550010		
075	WASHER			367667000		
076	WASHER			367667000		
077	O RING			360920919		
078	O RING			360920919		
092	LIP SEAL PUMP SIDE			360991521		
093	LIP SEAL FAN SIDE			360991528		
234	SEEGER RING			360600142		
257	WIRE CLAMP			366550011		
266	GASKET FOR WELDING			364747033		



LPS 3~ 50 Hz

pos	PART NAME	40/25	40/40	40/75	50/40	50/75	50/150
		196403004	1964050004	1964070004	1965050004	1965070004	1965150004
001	CASEING		251420102			251420103	
003	MOTOR BRACKET		240280630		240280630		240280631
004	CASING COVER		251497020			251497020	
006	SHAFT WITH ROTOR	275412582		275412584	275412582	275412584	275412733
007	IMPELLER	251497282	251497283	251497270	251497256	251497258	251497261
011	MECHANICAL SEAL		360408003			360408003	
012	MOTOR FRAME	277930750		277930180	277930750	277930180	277930220
013	MOTOR COVER		230225071		230225071		230225072
014	FAN		369950002		369950002		369950003
015	FAN COVER		362250071		362250071		362250080
016	TERMINAL BOX		365940256		365940256		365950326
017	TERMINAL BOX COVER				363232010		363232008
019	BEARING		363232010		360306203		360306204
020	BEARING		360306203		360306202		360306203
021	ADIISTING RING		360306202		360600035		360600040
022	Tie rod		360600035		369305135		369305148
024	PRIMING PLUG		369305135			375192107	
025	Drain plug		375192107			375192107	
026	O RING		360931266			360931266	
034	IMPELLER NUT		363300013			363300013	
038	CIUNTER FLANGE		364401001			364401003	
039	COUNTER FLANGE		364401001			364401003	
040	SUCTION GASKET		364701140			364701150	
041	DRAIN GASKET		364701140			364701150	
056	BOX GASKET		364700810		364700810		364700811
058	CABLE ENTRY		366550010			366550010	
075	WASHER		367667000			367667000	
076	WASHER		367667000			367667000	
077	O RING		362920919			360920919	
078	O RING		360920919			360920919	
092	LIP SEAL PUMP SIDE		360991521			360991521	
093	LIP SEAL FAN SIDE		360991528		360991528		360991523
234	SEEGER RING		360600142		360600142		360600147
257	WIRE CLAMP		366550011		366550011		366550012
266	GASKET FOR WELDING		364747033			364747033	

