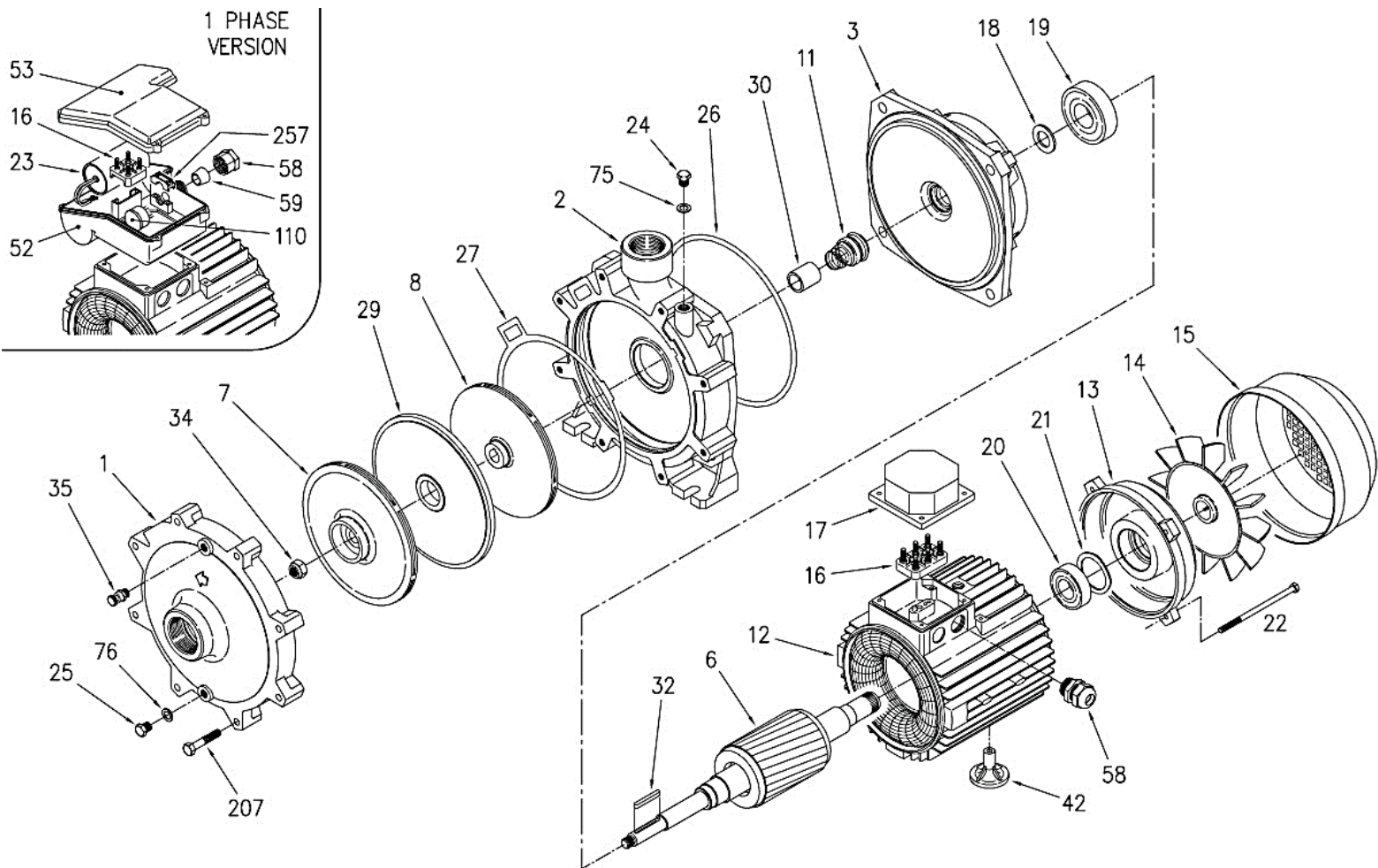


نقشه انفجاری پمپ سانتریفیوژ دو پروانه CDA

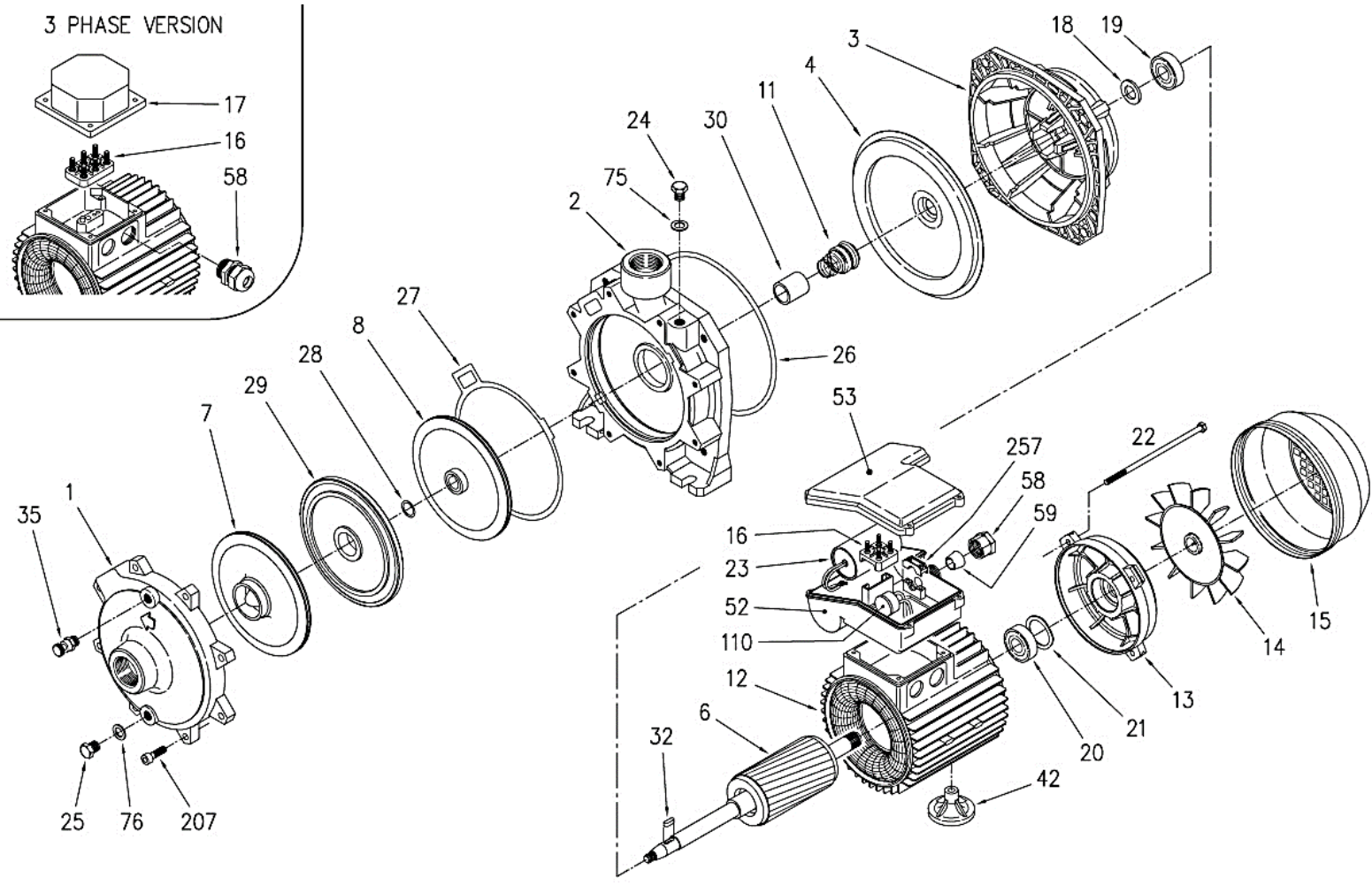


CDA 1~ 50HZ

| Pos | Part name | 0.75 M | | 1.00 M | | 1.50 M | | 2.00 M | |
|-----|------------------------|------------|-----------|------------|--|-------------|--|------------|--|
| | | 1210090000 | | 1210100000 | | 1210150000A | | 121020000A | |
| 001 | Casing | 240020008 | | 240020010 | | 240020010 | | | |
| 002 | Casing | 240020009 | | 240020011 | | 240020011 | | | |
| 003 | Motor bracket | 240280001 | | 240080000 | | 275412756 | | | |
| 004 | Casing cover | 241438000 | | -- | | -- | | | |
| 006 | Shaft with rotor | 275412723 | 275412940 | 275412757 | | 240150013 | | | |
| 007 | Impeller | 342550511 | 342550011 | 240150513 | | 240150014 | | | |
| 008 | Impeller | 342550509 | | 240150514 | | 240150014 | | | |
| 011 | Mechanical seal fix | 360405115 | | 360408218 | | 360405118 | | | |
| 011 | Mechanical seal roll | 360408215 | | 360405118 | | 360405118 | | | |
| 012 | Motor frame | 277930009 | 277930174 | 277930015 | | 277930234 | | | |
| 013 | Motor cover | 230225501 | | 230225015 | | 230225091 | | | |
| 014 | Fan | 369950002 | | 369950008 | | 369950008 | | | |
| 015 | Fan cover | 362250002 | | 362250004 | | 362250004 | | | |
| 016 | Terminal board | 365940253 | | 365940254 | | 365940254 | | | |
| 018 | Splash ring | 367650150 | | 367650190 | | 367650190 | | | |
| 019 | Bearing | 360306202 | | 360306204 | | 360306204 | | | |
| 020 | Bearing | 360306202 | | 360306203 | | 360306203 | | | |
| 021 | Adjusting ring | 360600035 | | 360600040 | | 360600040 | | | |
| 022 | Tie rod motor | 369305135 | | 369305148 | | 369305161 | | | |
| 023 | Capacitor | 361402160 | 361402200 | 361401350 | | 361401400 | | | |
| 024 | Priming plug | 375192000 | | 375192000 | | 375192000 | | | |
| 025 | Drain plug | 375192000 | | 375192000 | | 375192000 | | | |
| 026 | O – ring | 360931647 | | 360931710 | | 360931710 | | | |
| 027 | Gasket | 364700000 | | 364700100 | | 364700100 | | | |
| 028 | O - ring | 360921191 | | -- | | -- | | | |
| 029 | Intermediate plate | 240037000 | | 240037001 | | 240037001 | | | |
| 030 | Mechanical seal spacer | 345134001 | | 345134002 | | 345134002 | | | |
| 032 | Key | 361304410 | | 361305530 | | 361305530 | | | |
| 034 | Impeller nut | -- | -- | 363300011 | | 363300011 | | | |
| 035 | Air breather valve | 369200601 | | 369200601 | | 369200601 | | | |
| 042 | Foot | 342572001 | | 342572002 | | 342572002 | | | |
| 052 | Capacitor box | 363200500 | | 363200201 | | 363200201 | | | |
| 053 | Terminal cover | 363201100 | | 363201101 | | 363201101 | | | |
| 058 | Cable entry | 363201200 | | 363201201 | | 363201201 | | | |
| 059 | Conic gasket | 363201300 | | 363201301 | | 363201301 | | | |
| 075 | Washer | 360620002 | | 360620002 | | 360620002 | | | |
| 076 | Washer | 360620002 | | 360620002 | | 360620002 | | | |
| 110 | Protector | -- | -- | 369450504 | | 369450505 | | | |
| 200 | Screw | 369600062 | | 369600007 | | 369600007 | | | |
| 257 | Wire clamp | 366550011 | | 366550012 | | 366550012 | | | |



سه فاز



CDA 3~ 50HZ

| Pos | Part name | 0.75 T | | 1.00 T | | 1.50 T | | 2.00 T | | 3.00 T | | 4.00 T | | 5.50 T | |
|-----|------------------------|------------|------------|-------------|-------------|-------------|------------|------------|-----------|-----------|--|--------|--|--------|--|
| | | 1210090004 | 1210100004 | 1210150004A | 1210200004A | 1210300004A | 1210400004 | 1210550004 | | | | | | | |
| 001 | Casing | 240020008 | | | | 240020010 | | | | 240020019 | | | | | |
| 002 | Casing | 240020009 | | | | 240020011 | | | | 240020020 | | | | | |
| 003 | Motor bracket | 240280001 | | | | 240080000 | | | | 240080006 | | | | | |
| 004 | Casing cover | 241438000 | | | | 275412711 | 275412757 | 275412714 | 275412903 | 275412304 | | | | | |
| 006 | Shaft with rotor | 275412723 | 275412940 | 240150513 | | 240150015 | | 240150621 | 240150521 | | | | | | |
| 007 | Impeller | 342550511 | 342550011 | 240150514 | | 240150016 | | 240150622 | | | | | | | |
| 008 | Impeller | 342550509 | 342550009 | 360408218 | | 360408220 | | 360405120 | | | | | | | |
| 011 | Mechanical seal fix | 360408215 | | 360405118 | | 360405120 | | | | | | | | | |
| 011 | Mechanical seal roll | 360405115 | | 277930801 | 277930220 | 277930236 | 277931419 | 277930421 | | | | | | | |
| 012 | Motor frame | 277930409 | 277930180 | 230225015 | | 230225091 | | 230225507 | | | | | | | |
| 013 | Motor cover | 230225501 | | 369950008 | | 369950004 | | | | | | | | | |
| 014 | Fan | 369950002 | | 362250004 | | 362250100 | | | | | | | | | |
| 015 | Fan cover | 362250002 | | 365950326 | | 365956366 | | | | | | | | | |
| 016 | Terminal board | 365940256 | | 363232031 | | 367650190 | | | | | | | | | |
| 018 | Splash ring | 363232030 | | 360306204 | | 360306306 | | | | | | | | | |
| 019 | Bearing | 360306202 | | 360306203 | | 360306205 | | | | | | | | | |
| 020 | Bearing | 360306202 | | 360600040 | | 360600052 | | | | | | | | | |
| 021 | Adjusting ring | 360600035 | | 369305148 | | 369305161 | | 369306200 | | | | | | | |
| 022 | Tie rod motor | 369305135 | | | | | | | | | | | | | |
| 023 | Capacitor | 375192000 | | 375192000 | | 375192000 | | | | | | | | | |
| 024 | Priming plug | 375192000 | | 360931710 | | 360932100 | | | | | | | | | |
| 025 | Drain plug | 364700000 | | 364700100 | | 364700400 | | | | | | | | | |
| 026 | O – ring | 360921191 | | | | | | | | | | | | | |
| 027 | Gasket | 240037000 | | 240037001 | | 240037002 | | | | | | | | | |
| 028 | O - ring | 345134001 | | 345134002 | | | | | | | | | | | |
| 029 | Intermediate plate | 361304410 | | 361305530 | | 361305540 | | | | | | | | | |
| 030 | Mechanical seal spacer | 363300011 | | 363300014 | | | | | | | | | | | |
| 032 | Key | 369200601 | | 369200601 | | | | | | | | | | | |
| 034 | Impeller nut | 342572001 | | 342572002 | | 342572003 | | | | | | | | | |
| 035 | Air breather valve | 366550010 | | 366550010 | | 366550014 | | | | | | | | | |
| 042 | Foot | 360620002 | | 360620002 | | 360620002 | | | | | | | | | |
| 058 | Cable entry | 369600062 | | 369600007 | | 369600008 | | | | | | | | | |
| 075 | Washer | 366550011 | | -- | | -- | | 366550012 | | 366550011 | | | | | |
| 076 | Washer | | | | | | | | | | | | | | |
| 200 | Screw | | | | | | | | | | | | | | |
| 257 | Wire clamp | | | | | | | | | | | | | | |

