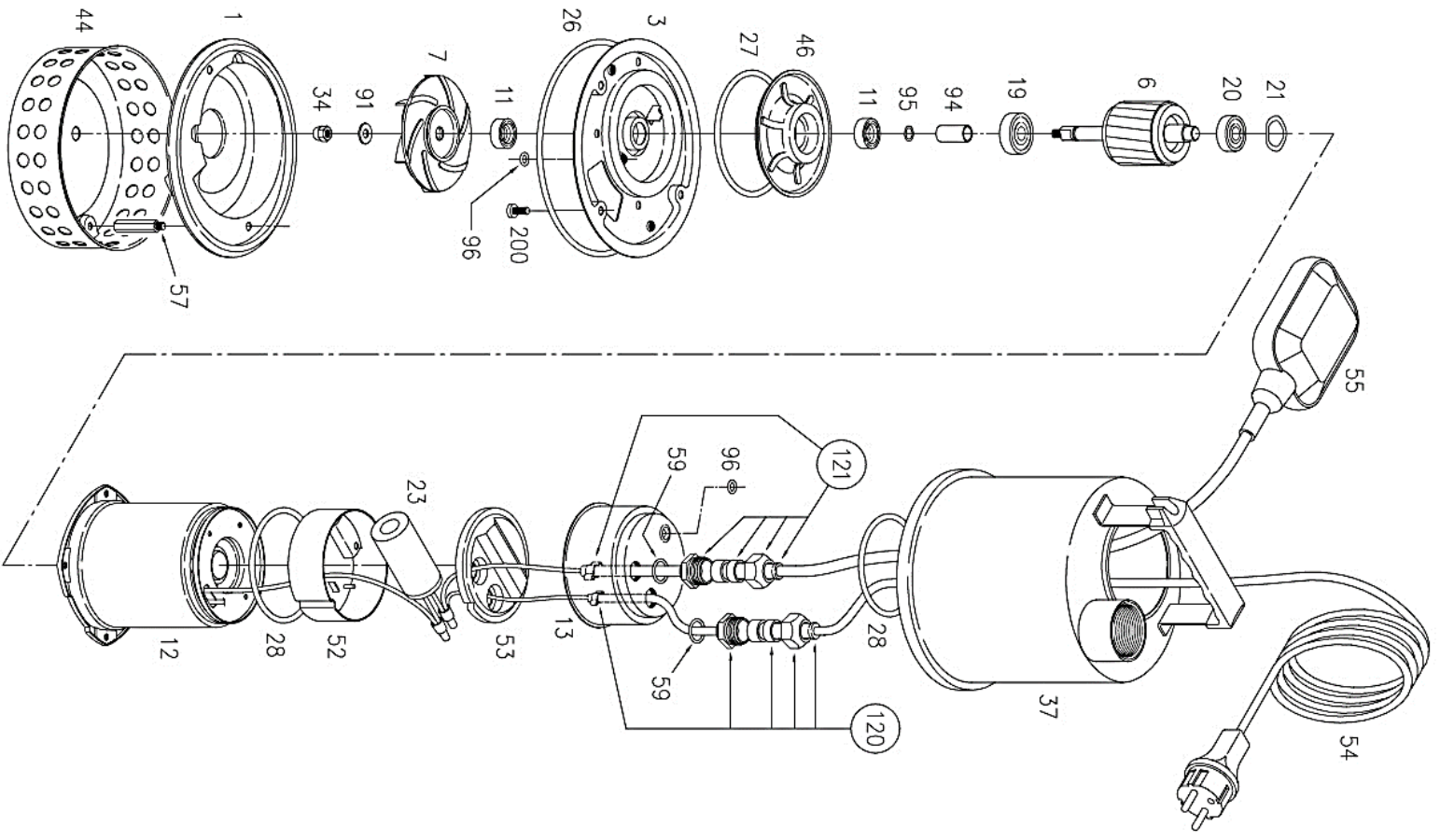


نقشه انفجاری الکترو پمپ لجنکش BEST one - vox



REV.	DESCRIZIONE DELLA MODIFICA	N° MOD.	DIS.	CONTR.	R&D	NORM.	DATA		DIS. ROSA	DESCRIZIONE BEST ONE - VOX	N° DISEGNO 01361
									NORM.		DATA 10.10.2001

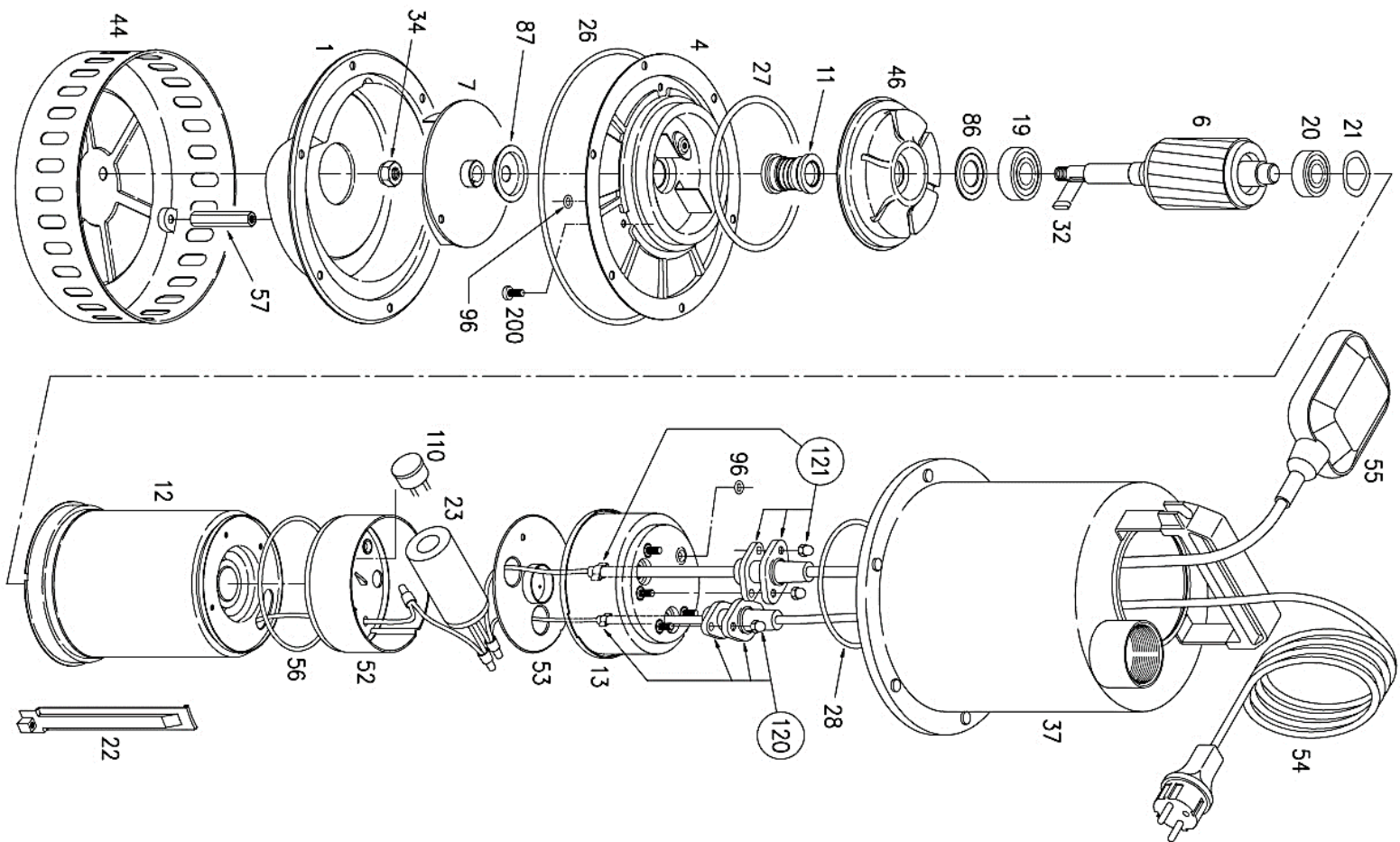
Pos	Part name	A	SG
		11711050021	11711051321
001	Volute		241445000
003	Motor flange		251402000
006	Shaft with rotor		275412008
007	Impeller		241450035
011	Lip seal		360601222
012	Motor frame		257902002
013	Motor cover		251402515
019	Lower bearing		360306200
020	Upper bearing		360306000
021	Adjusting ring		360600026
023	Capacitor		361411080
026	O – ring		360931545
027	O – ring		360938532
028	O – ring		360927587
034	Impeller		363351000
037	Pump casing		251402003
044	Strainer		241446000
046	Bearing housing		251481001
052	Terminal insulation box		372582000
053	Terminal insulation cover		372524000
054	Power cable		367900009
055	Float switch	365231002	--
057	Bolt		375434013
059	O – ring		360921395
091	Washer		360676033
094	Shaft sleeve		375434611
095	O – ring		360916070
096	O – ring		360914480
120	Cable connector set power		352665012
121	Cable connector set float	352665013	---
200	Screw		369640002



Pos	Part name	SG
		11711051321
001	Volute	241445002
003	Motor flange	251402000
006	Shaft with rotor	275412008
007	Impeller	241450035
011	Lip seal	360601222
012	Motor frame	257902002
013	Motor cover	251402515
019	Lower bearing	360306200
020	Upper bearing	360306000
021	Adjusting ring	360600026
023	Capacitor	361411080
026	O – ring	360931545
027	O – ring	360938532
028	O – ring	360927587
034	Impeller	363351000
037	Pump casing	251402003
044	Strainer	241446004
046	Bearing housing	251481001
052	Terminal insulation box	372582000
053	Terminal insulation cover	372524000
054	Power cable	367900009
055	Float switch	----
057	Bolt	375434017
059	O – ring	360921395
091	Washer	360676033
094	Shaft sleeve	375434611
095	O – ring	360916070
096	O – ring	360914480
120	Cable connector set power	352665012
121	Cable connector set float	----
200	Screw	369640002



نقشه انفجاری best 2-3-5



B ELIMINATA POSIZIONE 16		MASSIG.	14.03.03		DIS. ROSA	DESCRIZIONE	BEST 2-3-4-5	N° DISEGNO	01306
A INSERITA POSIZIONE 110		MFNINS	24.02.03		NORM.				
FEV DESCRIZIONE DELLA MODIFICA				N° MOD.	DIS.	CONTR.	R&D	NORM.	DATA

Best 2

Pos	Part name	2	2M	2M SG
		1721091204	1721090021	1721091221
001	Volute		241445001	
004	Motor flange		251402021	
006	Shaft with rotor	275412710	275412010	
007	Impeller		241450024	
011-k	Lip seal		364500017	
012	Motor frame	257902006	257902005	
013	Motor cover	251402011	251402012	251402011
019-k	Lower bearing		364500017	
020-k	Upper bearing		364500017	
021-k	Adjusting ring		364500017	
022	Tie rod		369302016	
023	Capacitor	--	361401160	
023	Capacitor	--	--	--
026-k	O – ring		364500017	
027-k	O – ring		364500017	
028-k	O – ring		364500017	
032-k	Key		364500017	
034-k	Impeller		364500017	
037	Pump casing		251402014	
044	Strainer		241446001	
046	Bearing housing		240480007	
052	Terminal insulation box		372582001	
053	Terminal insulation cover		372524003	
054	Power cable	367931061	367900007	
055	Float switch	--	365231006	--
056-k	O - ring		364500017	
057	Bolt		375434003	
086	Washer		364500017	
087-k	Impeller ring		364500017	
096-k	O – ring		364500017	
120	Cable connector set power		352665014	
121	Cable connector set float	---	352665014	---
200	Screw		369600038	



Best 3

Pos	Part name	3	3M	3M SG
		1721091204	1721090021	1721091221
001	Volute		241445001	
004	Motor flange		251402021	
006	Shaft with rotor	275412810	275412510	
007	Impeller		241450025	
011-k	Lip seal		364500017	
012	Motor frame	257902006	257902007	
013	Motor cover	251402011	251402012	251402011
019-k	Lower bearing		364500017	
020-k	Upper bearing		364500017	
021-k	Adjusting ring		364500017	
022	Tie rod		369302016	
023	Capacitor	--	361401200	
026-k	O – ring		364500017	
027-k	O – ring		364500017	
028-k	O – ring		364500017	
032-k	Key		364500017	
034-k	Impeller		364500017	
037	Pump casing		251402014	
044	Strainer		241446001	
046	Bearing housing		240480007	
052	Terminal insulation box		372582001	
053	Terminal insulation cover		372524003	
054	Power cable	367931061	367900013	
055	Float switch	--	365231006	--
056-k	O - ring		364500017	
057	Bolt		375434003	
086	Washer		364500017	
087-k	Impeller ring		364500017	
096-k	O – ring		364500017	
120	Cable connector set power		352665015	
121	Cable connector set float	---	352665014	---
200	Screw		369600038	



Best 4

Pos	Part name	3	3M	3M SG
		1721091204	1721090021	1721091221
001	Volute		241445001	
004	Motor flange		251402021	
006	Shaft with rotor	275412611		275412011
007	Impeller		241450026	
011-k	Lip seal		364500017	
012	Motor frame	257902010		257902009
013	Motor cover	251402011	251402012	251402011
019-k	Lower bearing		364500017	
020-k	Upper bearing		364500017	
021-k	Adjusting ring		364500017	
022	Tie rod		369302017	
023	Capacitor	--		361401315
026-k	O – ring		364500017	
027-k	O – ring		364500017	
028-k	O – ring		364500017	
032-k	Key		364500017	
034-k	Impeller		364500017	
037	Pump casing		251402013	
044	Strainer		241446001	
046	Bearing housing		240480007	
052	Terminal insulation box		372582001	
053	Terminal insulation cover		372524003	
054	Power cable	367931061		367900013
055	Float switch	--	365231006	--
056-k	O - ring		364500017	
057	Bolt		375434003	
086	Washer		364500017	
087-k	Impeller ring		364500017	
096-k	O – ring		364500017	
120	Cable connector set power		352665015	
121	Cable connector set float	---	352665014	---
200	Screw		369600038	



Best 5

Pos	Part name	3 1721091204
001	Volute	241445001
004	Motor flange	251402021
006	Shaft with rotor	275412611
007	Impeller	241450027
011-k	Lip seal	364500017
012	Motor frame	257902010
013	Motor cover	251402011
019-k	Lower bearing	364500017
020-k	Upper bearing	364500017
021-k	Adjusting ring	364500017
022	Tie rod	369302017
023	Capacitor	--
026-k	O – ring	364500017
027-k	O – ring	364500017
028-k	O – ring	364500017
032-k	Key	364500017
034-k	Impeller	364500017
037	Pump casing	251402013
044	Strainer	241446001
046	Bearing housing	240480007
052	Terminal insulation box	372582001
053	Terminal insulation cover	372524003
054	Power cable	367931061
055	Float switch	--
056-k	O - ring	360938850
057	Bolt	364500017
086	Washer	364500017
087-k	Impeller ring	364500017
096-k	O – ring	364500017
120	Cable connector set power	352665015
121	Cable connector set float	---
200	Screw	369600038

