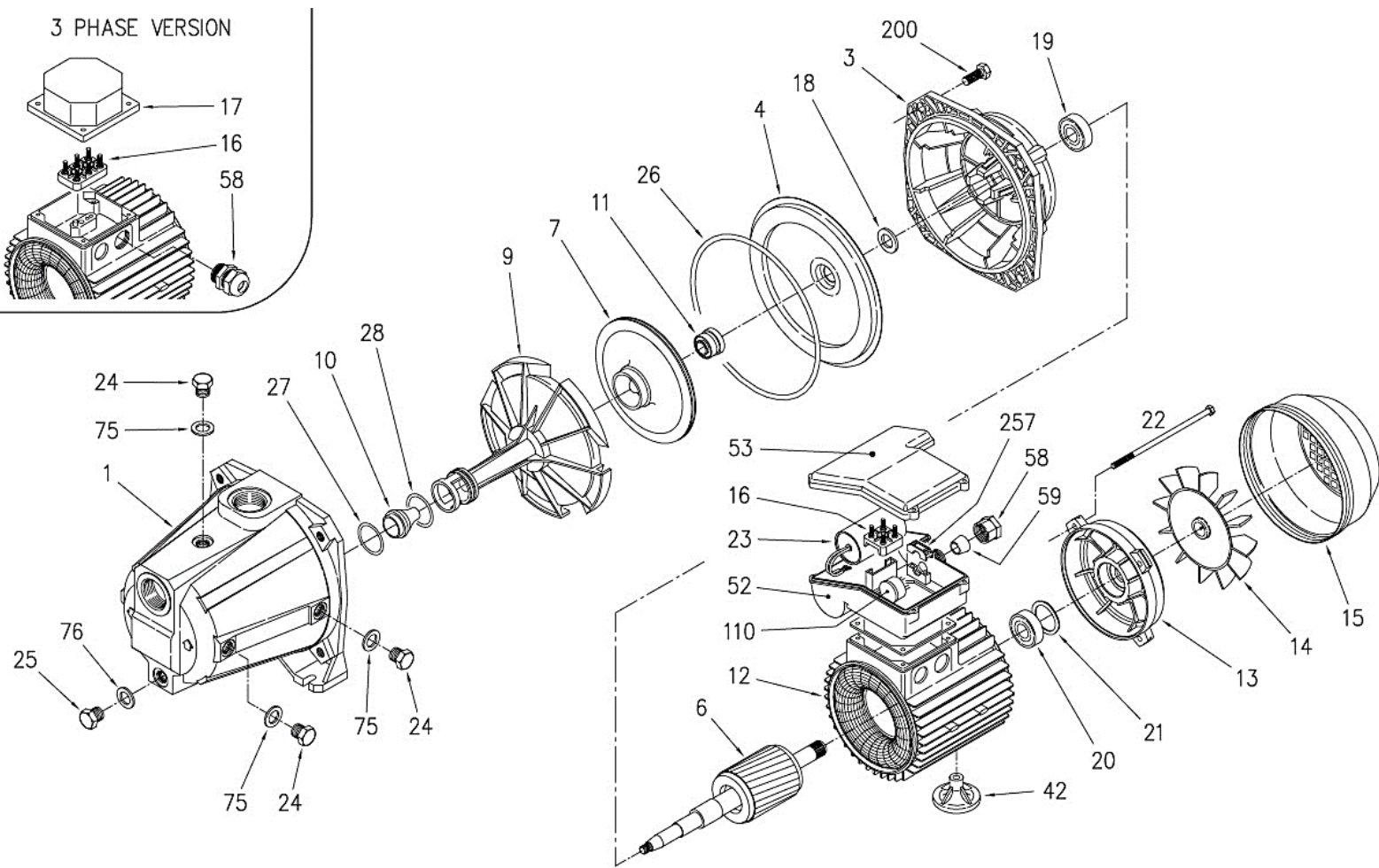


نقشه انفجاری سه فاز



Pos	Part name	0.60 T		0.75 T	1.00 T
		1100060004		1100090004	1100100004
001	Casing			240020000	
003	Motor bracket			240280001	
004	Casing cover			241438000	
006	Shaft with rotor	275412701		275412703	275412707
007	Impeller		342550501		342550002
009	Diffuser+Venturi tube		342535000		342535001
010	Venturi nozzle		342535000		342595003
011	Mechanical seal roll			360405113	
011	Mechanical seal fix			360408213	
012	Motor frame	277930405		277930161	277930411
013	Motor Cover			230225501	
014	Fan			369950002	
015	Fan cover			362250002	
016	Terminal box			365940256	
017	Terminal box cover			363232030	
018	Splash ring			367650150	
019	Bearing			360306202	
020	Bearing			360306202	
021	Adjusting ring			360600035	
022	Tie rod			369305135	
024	Priming plug			375192001	
025	Drain plug			375192001	
026	O – ring			360931647	
027	O – ring			360922669	
028	O – ring			360922825	
042	Foot			342572001	
058	Cable entry			366550010	
075	Washer			360620011	
076	Washer			360620011	
200	Screw			369600006	
257	Wire clamp			366550011	



Pos	Part name	0.60		0.75		1.00	
		1100060000		1100090000		1100100000	
001	Casing			240020000			
003	Motor bracket			240280001			
004	Casing cover			241438000			
006	Shaft with rotor	275412701		275412703		275412707	
007	Impeller	342550501		342550001		342550002	
009	Diffuser+Venturi tube	342535000				342535001	
010	Venturi nozzle	342535000				342595003	
011	Mechanical seal roll			360405113			
011	Mechanical seal fix			360408213			
012	Motor frame	27793005		27793008		277930011	
013	Motor Cover			230225501			
014	Fan			369950002			
015	Fan cover			362250002			
016	Terminal box			365940253			
018	Splash ring			367650150			
019	Bearing			360306202			
020	Bearing			360306202			
021	Adjusting ring			360600035			
022	Tie rod			369305135			
023	Capacitor	361402125		361400140		361402200	
024	Priming plug			375192001			
025	Drain plug			375192001			
026	O – ring			360931647			
027	O – ring			360922669			
028	O – ring			360922825			
042	Foot			342572001			
052	Capacitor box			363200500			
053	Terminal cover			363201100			
058	Cable entry			363201200			
059	Conic gasket			363201300			
075	Washer			360620011			
076	Washer			360620011			
200	Screw			369600006			
257	Wire clamp			366550011			

