

Centrifugal Pump

Multi Eco

Type Series Booklet



Legal information/Copyright

Type Series Booklet Multi Eco

All rights reserved. The contents provided herein must neither be distributed, copied, reproduced, edited or processed for any other purpose, nor otherwise transmitted, published or made available to a third party without the manufacturer's express written consent.

Subject to technical modification without prior notice.

© KSB SE & Co. KGaA, Frankenthal 20/04/2020

Contents

Domestic Water Supply System	4
Water Supply Pumps	4
Multi Eco.....	4
Fluids handled	4
Main applications.....	4
Operating data.....	4
Design details	4
Designation	4
Materials.....	4
Product benefits.....	4
Certifications	4
Technical data	5
Characteristic curve	5
Dimensions	6
Accessories.....	7

Domestic Water Supply System

Water Supply Pumps

Multi Eco



Fluids handled

- Clean to turbid water not containing aggressive, abrasive or solid substances
- River water, lake water and groundwater

Main applications

- Spray irrigation systems
- General irrigation systems
- Rainwater harvesting
- Washing plants
- Water supply systems

Operating data

Operating properties

Characteristic	Value
Flow rate	Q [m ³ /h] ≤ 8
	Q [l/s] ≤ 2,2
Head	H [m] ≤ 54
Fluid temperature	T [°C] ≤ +50 for continuous duty
	≤ +70 for 10 minutes
Operating pressure	p _d [bar] ≤ 10 or ≤ 6 depending on the size
Suction lift	H _s [m] ≤ 8

Design details

Design

- Centrifugal pump
- Close-coupled design
- Multistage
- Self-priming

Drive

- AC motor
- Range of rated voltage: 220 - 240 V
- Frequency 50 Hz
- Thermal overload protection
- Three-phase motor
- Range of rated voltage: 380 - 415 V
- Frequency 50 Hz
- Enclosure IP44
- Thermal class F

Bearings

- Deep groove ball bearings
- Grease-lubricated for life

Designation

Example: Multi Eco 35 E

Designation key

Code	Description	
Multi Eco	Type series	
35	Size	
E	D	Three-phase asynchronous motor
	E	Single-phase AC motor
	P	Portable model

Materials

Overview of available materials

Component	Material
Pump casing	Grey cast iron with anti-corrosive coating
Discharge cover	Grey cast iron with anti-corrosive coating
Impeller/stage casing	Noryl
Jacket	Stainless steel
Shaft	Chrome steel
Motor housing	Aluminium

Product benefits

- Reliable, sturdy pump installation thanks to corrosion-protected pump casing with stainless steel jacket
- Automatic and quick priming once the pump casing has been filled. Suction lift up to 8 m thanks to self-priming design (KSB patent).
- Energy-efficient low-noise operation thanks to wear-resistant multistage hydraulic system with optimised efficiency

Certifications

Overview

Label	Effective in:	Comment
	France	Approved in accordance with the French drinking water regulation

Technical data

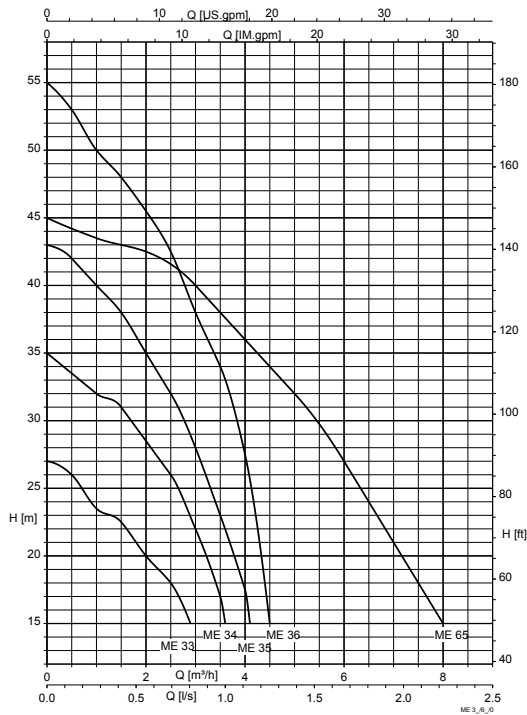
Selection table for 2800 [min⁻¹]

Size	Number of stages	Connection		p _d	P ₁	I _N			Power cable		Mat. No.	[kg]
		Suction side	Discharge side			1~230 V	3~230 V	3~400 V	H07RN-F			
				[bar]	[kW]	[A]	[A]	[A]	[m]	[mm ²]		
Multi Eco 33 P	3	G 1	G 1	6	0,55	2,7	-	-	1,5	3 × 1	40982844	11
Multi Eco 34 P	4	G 1	G 1	6	0,66	3,1	-	-	1,5	3 × 1	40982845	11
Multi Eco 35 P	5	G 1	G 1	10	0,80	3,7	-	-	1,5	3 × 1	40982846	11
Multi Eco 36 P	6	G 1	G 1	10	1,10	5,5	-	-	1,5	3 × 1	40982847	16
Multi Eco 65 P	5	G 1 1/4	G 1	10	1,30	6,1	-	-	1,5	3 × 1	40982848	13
Multi Eco 33 E	3	G 1	G 1	6	0,55	2,7	-	-	-	-	40982839	11
Multi Eco 34 E	4	G 1	G 1	6	0,66	3,1	-	-	-	-	40982840	11
Multi Eco 35 E	5	G 1	G 1	10	0,80	3,7	-	-	-	-	40982841	12
Multi Eco 36 E	6	G 1	G 1	10	1,10	5,5	-	-	-	-	40982842	15
Multi Eco 65 E	5	G 1 1/4	G 1	10	1,30	6,1	-	-	-	-	40982843	16
Multi Eco 33 D	3	G 1	G 1	6	0,55	-	1,7	1,3	-	-	40982849	11
Multi Eco 34 D	4	G 1	G 1	6	0,66	-	2,0	1,3	-	-	40982850	11
Multi Eco 35 D	5	G 1	G 1	10	0,80	-	2,5	1,7	-	-	40982851	12
Multi Eco 36 D	6	G 1	G 1	10	1,10	-	3,4	2,1	-	-	40982852	15
Multi Eco 65 D	5	G 1 1/4	G 1	10	1,30	-	4,0	2,3	-	-	40982853	15

Characteristic curve

The discharge head is the sum of suction lift + pressure head + friction losses in suction and discharge lines + required tap pressure. The flow rate depends on the relevant discharge head. Maximum suction lift for all pump sizes: approx. 8 m.

Multi Eco 33/34/35/36/65; n = 2800 rpm



Dimensions

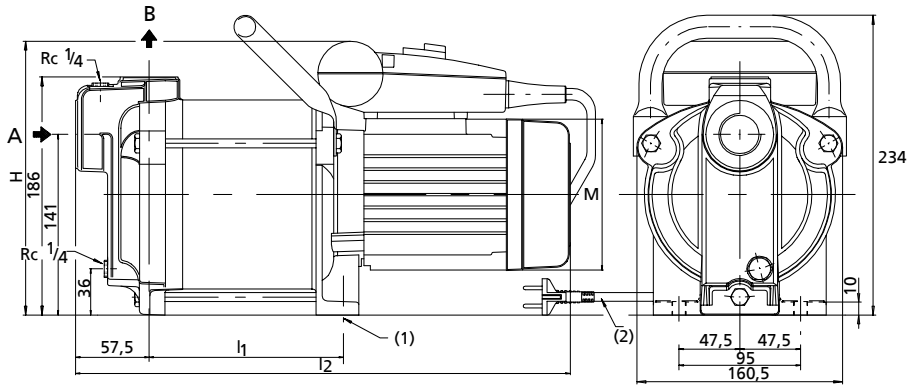


Fig. 1: Dimensions of Multi Eco P [mm]

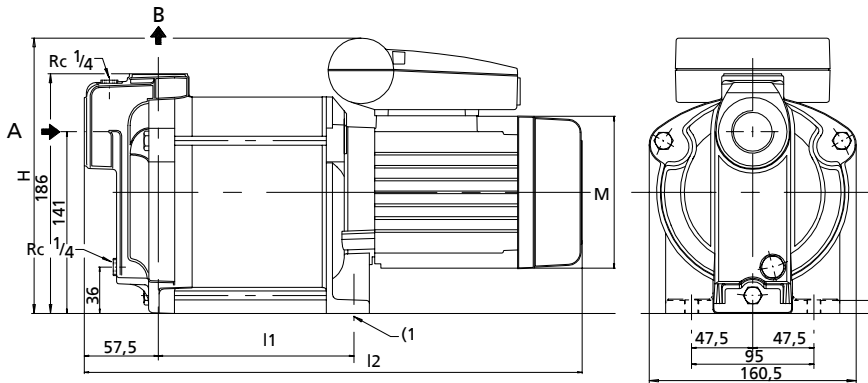








Fig. 2: Dimensions of Multi Eco E / D [mm]

A	Suction nozzle	(1)	2 holes Ø 8
B	Discharge nozzle	(2)	Length 1.5 m


Dimensions [mm]

Multi Eco	Ø A suction nozzle	Ø B discharge nozzle	l ₁	l ₂	H	Ø M
33	G 1	G 1	151,5	387	215	118
34	G 1	G 1	151,5	387	215	118
35	G 1	G 1	180	415	215	118
36	G 1	G 1	208,5	467	230	140
65	G 1 1/4	G 1	208,5	467	230	140



Accessories
Pump accessories

	Description	Connection/ length [m]	Mat. No.	[kg]
-	Connection part made of brass for Controlmatic	Rp 1 / G 1	39019415	0,2
		Rp 1 1/4 / G 1	39019530	0,2
	Suction strainer with foot valve, PVC (for pipe of DN 25)	G 1	40980710	0,2
	Suction hose kit, complete with suction strainer and spring-loaded lift check valve, 7 m	G 1	40980203	1,5
	Function: circuit closed in upper float position (normally open contact)	Float switch housing: polypropylene	11037749	1,1
		Float switch housing: polypropylene	11037750	1,3
	E62.1	Float switch housing: polypropylene	11037759	0,6
		Float switch housing: polypropylene	11037760	0,9
	Weight for float switch not suitable for drinking water applications		01076688	0,3
	Anti-vibration pump bracket fits all Multi Eco/Multi Eco-Pro		18040802	1,6

Control unit / switchgear accessories

	Description	Mat. No.	[kg]
	Safety switch STECKMAT (1~230 V) Trips in approx. 0.03 seconds, from approx. 0.03 A	00534217	0,5

Automatic control units

	Description	Mat. No.	[kg]
	Cervomatic EDP.2 automatic control unit	01185581	2,5
	Controlmatic E automatic control unit	90053395	1,3



KSB SE & Co. KGaA
Johann-Klein-Straße 9 • 67227 Frankenthal (Germany)
Tel. +49 6233 86-0
www.ksb.com